

## HydroStop®366

Permanent elastic, hydroactive - sealing compound

HydroStop®366 is permanent elastic and additionally gas and water tight sealing compound with excellent adhesion on all building materials even on wet undergrounds. When it gets in direct contact with water HydroStop® will absorb water and swell up to 40%. This typical swelling effect supports effectively the sealing property.

HydroStop®366 does not contain any solvents or other volatile components, no softeners or other ingredients which are able to corrode or react with plastic, rubber elastomere, bitumen, concrete, metal or other building materials.

Even a softener migration e.g., from geomembranes, joint tapes or cable jackets into the sealing compounds is impossible!

Later changes of the joint cross section could be compensated by the material because of the swelling pressure which appears by water contact. Joint sealings made of HydroStop are „self repairing“.

The special Polymer bonding agent avoids the drying, shrinking or even embrittlement. The resistance against chemical or biological influences is excellent. HydroStop®366 conserves the typical properties of a ductile mastic, chemical or biological materials does not have any influence on HydroStop®. The resistance against temperature changes and the flexibility during low temperatures is very good.

The bonding agent of HydroStop®366 is specially modified and creates a skin in contact with air, this seals the surface of the mastic. The use of HydroStop® 366 is recommended for applications where the sticky surface is troublesome and where similar competitive products need a special coverage.

### Typical Application

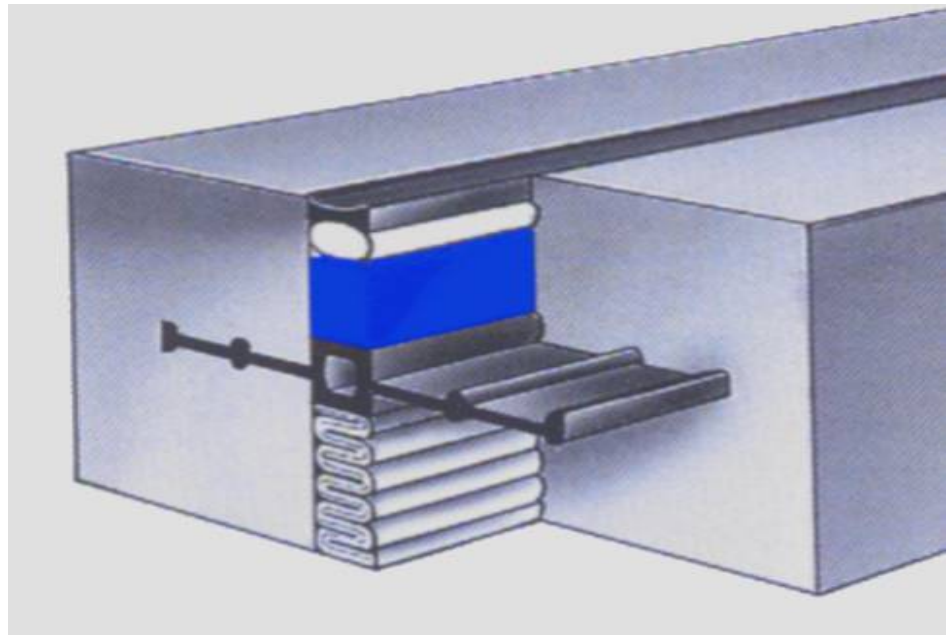
- ◆ Sealing of wall breakthroughs made for pipes and cables in building elements which are in direct soil contact or loaded with water.
- ◆ Fail-safe and easy installable sealing for connection joints of pre-cast elements in earth-work and hydraulic constructions.
- ◆ As additional safeguard and levelling compound behind muf and clamping construction.
- ◆ Repair of untight dilatation joints e.g. damaged or afloat joint tapes

**Important:** The permanent elasticity - the malleable structure allows at any time the installation or the removal of cables without a damage of the sealing!

HydroStop®366 is available in standard PE cartridges and squeezed out with normal silicone pistols. There is no need for a special treatment of contact surfaces but loose pollution, dust, grease etc. must be removed before application. A good adhesion demands a good wetting of the underground.

The adhesion on wet undergrounds is excellent. Shiny wet surfaces should be dried before application, the material needs to get in direct contact with the surface. For smoothing we recommend to bathe the tools in water to avoid adhesion.

### **Example Dilatation joint re- pair**



#### **Three steps to a simple dilatation joint repair with HydroSeal®366.**

1. Remove joint filling and clean joint flanks.
2. The joint space between joint tape surface (app. 30 mm away from the outer face of the joint) will be filled with HydroStop®366 and repressed and drawn-off smooth.
3. Afterwards a round cord (PE) is used as a backfill and puffer. The joint is sealed afterwards with a Silicone, Thiokole or PU Joint mastic. A better solution is a metal sheet which is fixed on one side of the joint to allow the joint movement.

**Important:** The adhesion surface of the joint mastic must be clean and should not be contaminated with HydroStop®. We recommend to primer the joint flanks with a suitable material that matches the joint mastic.

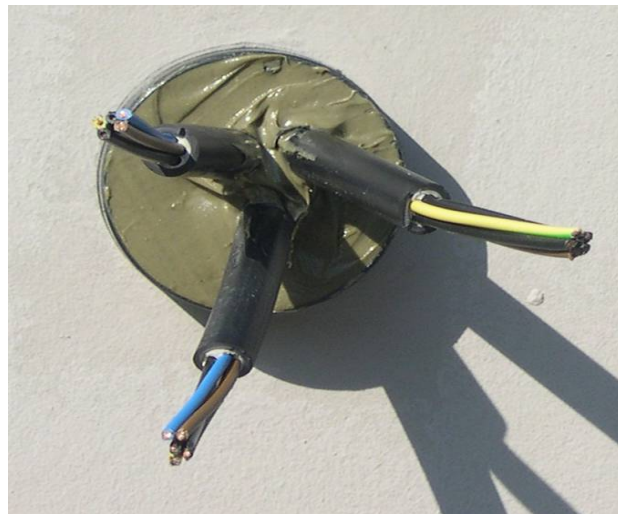
**Product properties**

Characteristic	: Pasty, permanent plastic
Delivery form	: Cartridges made of PE with 310 ml
Shelf life	: No restriction
Colour	: Blue grey
Odour	: Very weak not unpleasant
Density	: Approx. 1,65-1,70 gr/ml
Swellability in water	: Approx. 40 %

HydroStop®366 is chemical inert and doesn't react with other materials.

**Cable feedthrough with HydroStop®**

**Waterproof, but re-fitting at any time!**



**Security Storage**

HydroStop®366 are physiological harmless and need no labeling. Avoid contact with eye and mucous membrane because of the high sticking power of the material. We recommend the usual carefulness for the handling with technical products. Pollutions with HydroStop®366 could be cleaned with warm water with some dishwashing agent or better solvents like fuel, Xylol or Toluol.

Both qualities must not be stored  $\geq 50^{\circ}\text{C}$ . Below  $5^{\circ}\text{C}$  the viscosity rises and the processing is very hard because the material is too thick. The recommended storage range is between  $+5^{\circ}\text{C}$  and  $+40^{\circ}\text{C}$ . Material which was stored in frosty places could be warmed up in warm water bath.

These technical information describe the present-day state of knowledge these product. They should only inform about the possibilities of application and could not release the applicator of his commitment to check the possibility to use the product for the required application. Information for processing can be found in processing instructions of our product. Information about safe handling can be found in our current safety data sheet.

ATI-HydroStop®366  
© ARCAN GmbH  
All rights reserved

**ARCAN Waterproof**

ARCAN GmbH Spezialbaustoffe

Kleinniedesheimer Strasse 19  
D-67240 Bobenheim-Roxheim  
Phone: +49 (0)6239 - 99 78 20  
Mail: [office@arcan.biz](mailto:office@arcan.biz)  
Web: [www.arcan.biz](http://www.arcan.biz)

passion to invent 