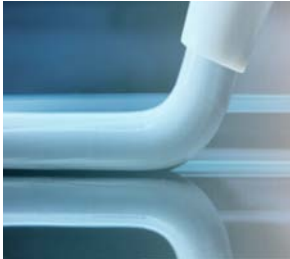


HydroSeal®355

Highly elastic, water-swellaable sealing compound



HydroSeal®355 is a hydroactive setting, sealing compound. Once cured, the product absorbs water when wetted directly and increases its volume. HydroSeal®355 consists of a special polyurethane rubber developed by ARCAN.

HydroSeal®355 reacts, when curing, to a rubber-elastic product with a very good mechanical strength and excellent adhesion to wet and dry concrete and metal. On contact with water HydroSeal®355 absorbs the water, it swells proportionally to the amount of water absorbed. HydroSeal®355 is used to seal working and movement joints, pipe penetrations and similar problem areas on buildings simply and very efficiently*

Due to the swelling and the resulting swelling pressure, seals made of HydroSeal®355 also adapt quickly to subsequent changes in the joint cross sections. Joint seals made of HydroSeal®355 are therefore - like many swellable ARCAN products - "self-healing".

HydroSeal®355 cannot become brittle. Its typical properties of a flexible "rubber" are not lost even after years. The resistance to temperature changes and the flexibility at low temperatures is excellent. **And - very important:** The swelling properties are not negatively influenced by substances dissolved in water, salts or the typical concrete alkalinity.

* MPFA Leipzig inspection report of 12.3.1999



HydroSeal®355 is used wherever water has to be prevented from penetrating into building structures. The simple processing, as a moisture-hardening 1-component compound directly from the cartridge, facilitates the application. The soft-pasty, but stable mastic compound is easy to apply with any standard cartridge applicator gun.

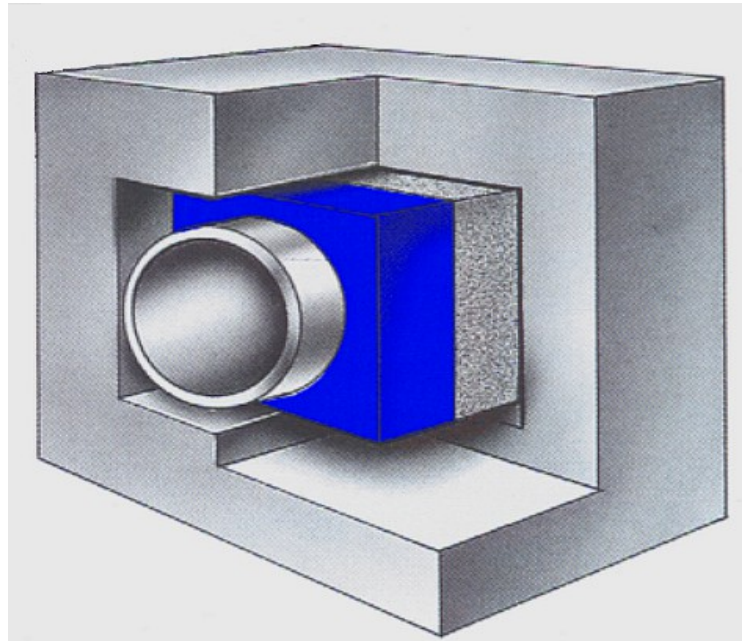
- **The sealing of wall penetrations (pipes, cables etc.) in surfaces of building structures in contact with earth -**
- **Functionally reliable and easy to install seals in connection and concrete joints - as "swelling tape from the cartridge" -**
- **Joint sealing for precast concrete elements, pipes and tubbings, in earthworks and hydraulic engineering**
- **Adhesive and levelling compound for expansion joint tapes - are typical applications for this product**

HydroSeal®355 adheres excellently to practically all dry and matt damp substrates that are free of grease and dust. On different plastics (olefins like PE or PP, mixed polymers) the adhesion is limited. As plastics are difficult for the layman to identify, preliminary tests are always recommended for plastics used as a substrate.

In order to accelerate the hardening process, it may be advisable to moisten mineral substrates (concrete, stones etc.) before applying the joint sealant.

**Sealed
Pipe feed-through:**

A typical
Application for
swellable
Sealing compounds

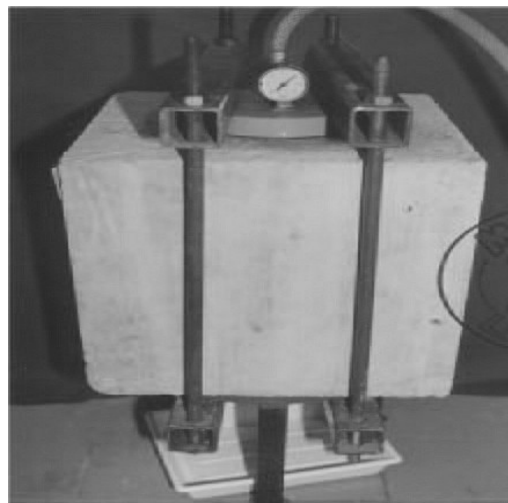


For a good adhesion of HydroSeal®355 to the substrate, however, the surfaces must not be glossy-wet.

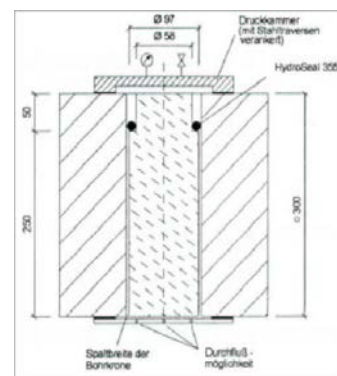
A typical application for HydroSeal®355 is also the restoring of leaking movement joints, e.g. with circumferential or damaged joint tapes and pipe feed-trough.

For these and similar applications, detailed design proposals are available if required, which have been tried and tested many times in practice. With simple means, problems with water can be solved permanently.

**HydroSeal®355
Tested Quality !**



Pressure test with water at
MFPA Leipzig for HydroSeal®355



Product data



Delivered product	: Paste-like, stable mastic in cartridges
Components	: One
Base	: Polyurea prepolymer, hydrophilic
Hardening	: By contact with humidity
Setting Speed	: 5 mm / 24 h at 60% rel. humidity (average value)
Density	: Approx. 1,38 g/mL bei 20 °C
Standard-Colour	: Light blue (special colours are possible)
Swelling properties	: > 100 %

HydroSeal®355 contains no solvents and is physiologically largely harmless.

Storage Safety at Work Disposal

HydroSeal®355 is not a hazardous substance. Nevertheless, the usual precautionary and hygienic measures by handling with chemical building materials must be observed when processing this product.

The product must be stored cool, dry and protected from frost. At low temperatures, the paste becomes viscous and the processing is then more difficult. HydroSeal®355 is not flammable, but as an organic substance it is combustible. This property must be taken into account during the storage. The product must be stored in such a way that it is not accessible to children and unauthorized third parties.

Cured HydroSeal®355 is physiologically completely harmless and can be disposed of as construction waste. Fresh (paste-like) product residues are hazardous waste and must be disposed of accordingly. Due to the quick reaction with water or air humidity, product residues can be rendered inert and harmless by pouring water over them or by short-term open storage in the air.

These technical information describe the present-day state of knowledge these product. They should only inform about the possibilities of application and could not release the applicator of his commitment to check the possibility to use the product for the required application. Information for processing can be found in processing instructions of our product. Information about safe handling can be found in our current safety data sheet.

ATI-HydroSeal®355|08|2019
© ARCAN GmbH
All rights reserved

ARCAN 

ARCAN GmbH Spezialbaustoffe

Kleinniedesheimer Strasse 19
D-67240 Bobenheim-Roxheim
Phone: +49 (0)6239 - 99 78 20
Mail: office@arcan.biz
Web: www.arcan.biz

passion to invent 